

規格書

產品名稱	Anti-EMI Metal Mesh Film(500*605) for MIL-STD-461 & MIL-STD-461F Standard
型號	MM-5060-50-MIL461

客戶名稱：

客戶承認：

Signature

Department

Date

Signature

Department

Date

Signature

Department

Date

廠商名稱：

廠商承認：

Signature

Department

Date

Signature

Department

Date

Signature

Department

Date

Gredmann Taiwan

Tel: 02-2719-3456 (20 線)

Fax: 02-2716-5500, 2716-5522

105 台北市民權東路三段 170 號 9 樓之 2

PAGE: 1 OF 7

DATE: 2014/11/28

1. Structure :

PSA Structure

PE Protective Film
Copper 1~2um (Resistance<0.1Ohm)
PET 125um
PSA 50um
Release Film

2. Measurement Method :

Figure 1、

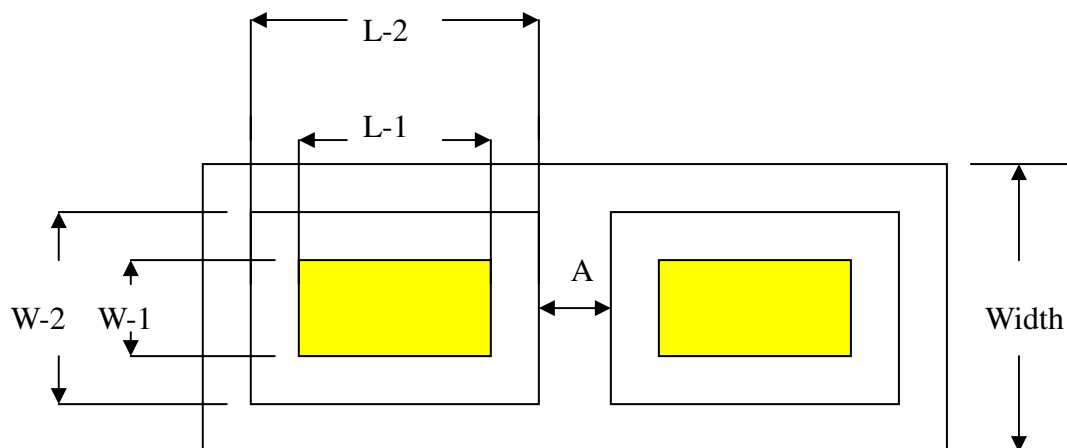
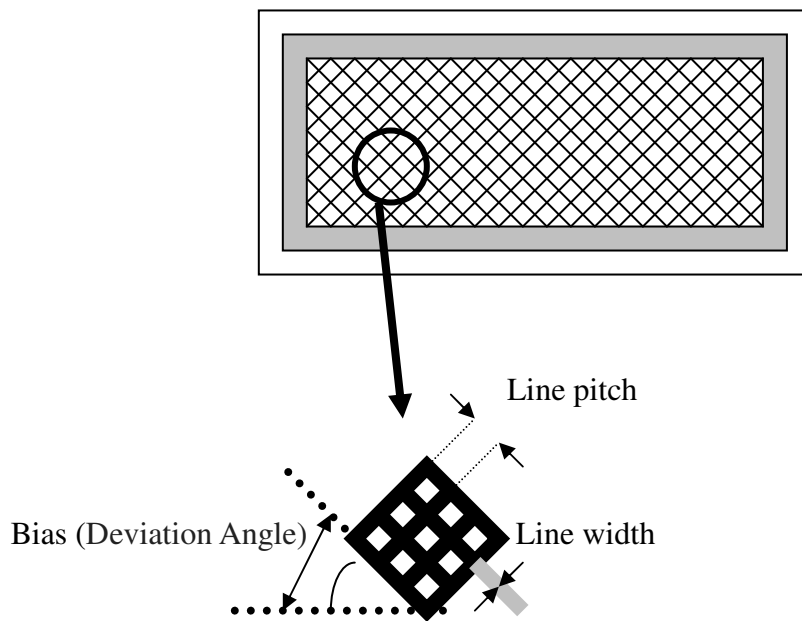
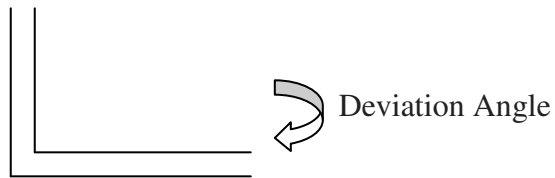
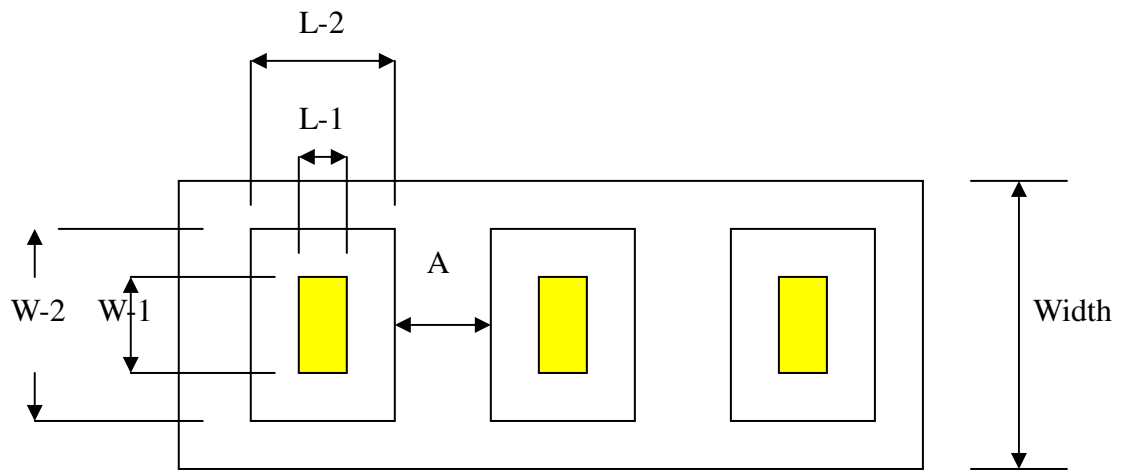


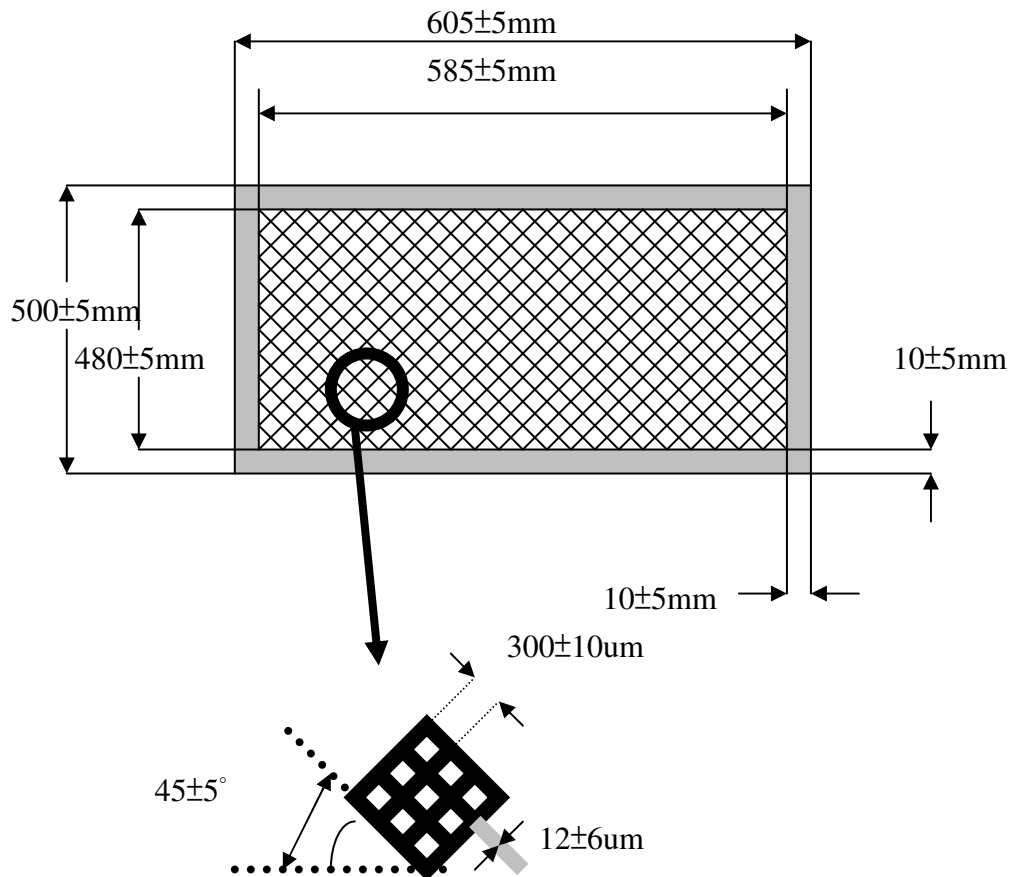
Figure 2、



3. Dimensional accuracy :

	Item	Tolerance	Method	Inspection
1	L-1、2	$\pm 2.0\text{mm}$	Straight Scale	1/Lot
2	W-1、2	$\pm 2.0\text{mm}$	Straight Scale	1/ Lot
3	A	$\pm 2.0\text{mm}$	Straight Scale	1/ Lot
4	Width	$+2/0\text{mm}$	Straight Scale	1/ Lot
5	Line width	$\pm 5\ \mu\text{m}$	Scale microscope	3/ Lot
6	Line Pitch	$\pm 5\ \mu\text{m}$	Scale microscope	3/ Lot
7	Deviation Angle	-	-	-

4. Size



Gredmann Taiwan

Tel: 02-2719-3456 (20 線)

Fax: 02-2716-5500, 2716-5522

105 台北市民權東路三段 170 號 9 樓之 2

PAGE: 4 OF 7

DATE: 2014/11/28

5. Cosmetic

(Stain 、 Foreign object 、 Wrinkles)

Foreign object 、 Wrinkles (White)		Stain (Black)	
SIZE(mm)		SIZE(mm)	
$\phi < 0.3$	Ignore	$\phi < 0.1$	Ignore
$0.3 \leq \phi \leq 0.6$	2 defects/m ²	$0.1 \leq \phi \leq 0.3$	2 defects/m ²
$0.6 \leq \phi \leq 1.0$	2 defects/m ²	$0.3 \leq \phi \leq 0.6$	2 defects/m ²
$\phi > 1.0$	None/m ²	$\phi > 0.6$	None/m ²
* 1. ϕ Max Diameter of defect * 2. Space between Defect > 10mm * 3. Space between Defect < 0.3mm , Mutual Agreement			

Defect (Scratch)

Width	Length	Tolerance	Space (mm)
$W < 0.05$	-	Ignore	-
$0.05 \leq W < 0.1$	$L < 30$	≤ 3	≥ 100
$0.1 \leq W < 0.2$	$L \leq 20$	≤ 3	
$0.2 \leq W < 0.3$	$L \leq 10$	≤ 3	
$0.3 \leq W$	-	-	-
TOTAL	-	≤ 9	-

Etching Defect

Open			
Lattice	Limit	SIZE(mm)	Limit
Lattice < 5	Ignore	$\phi < 0.5$	Ignore
$5 \leq$ Lattice < 10	4defects/m ²	$0.5 \leq W < 1.0$	1 defects/m ²
$11 \leq$ Lattice	None/m ²	$\phi > 1.0$	None/m ²
* 1. Space between Defect < 0.3mm , Mutual Agreement			

Gredmann Taiwan

Tel: 02-2719-3456 (20 線)

Fax: 02-2716-5500, 2716-5522

105 台北市民權東路三段 170 號 9 樓之 2

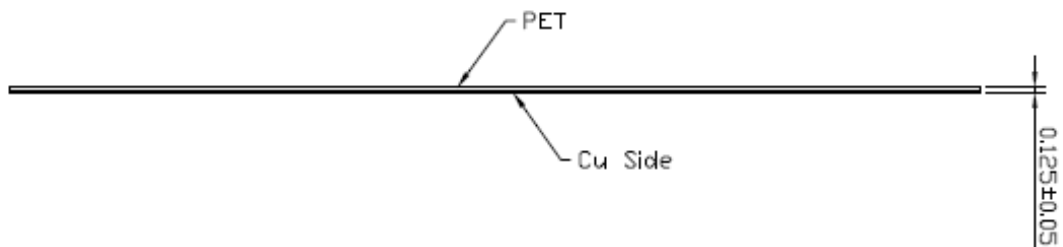
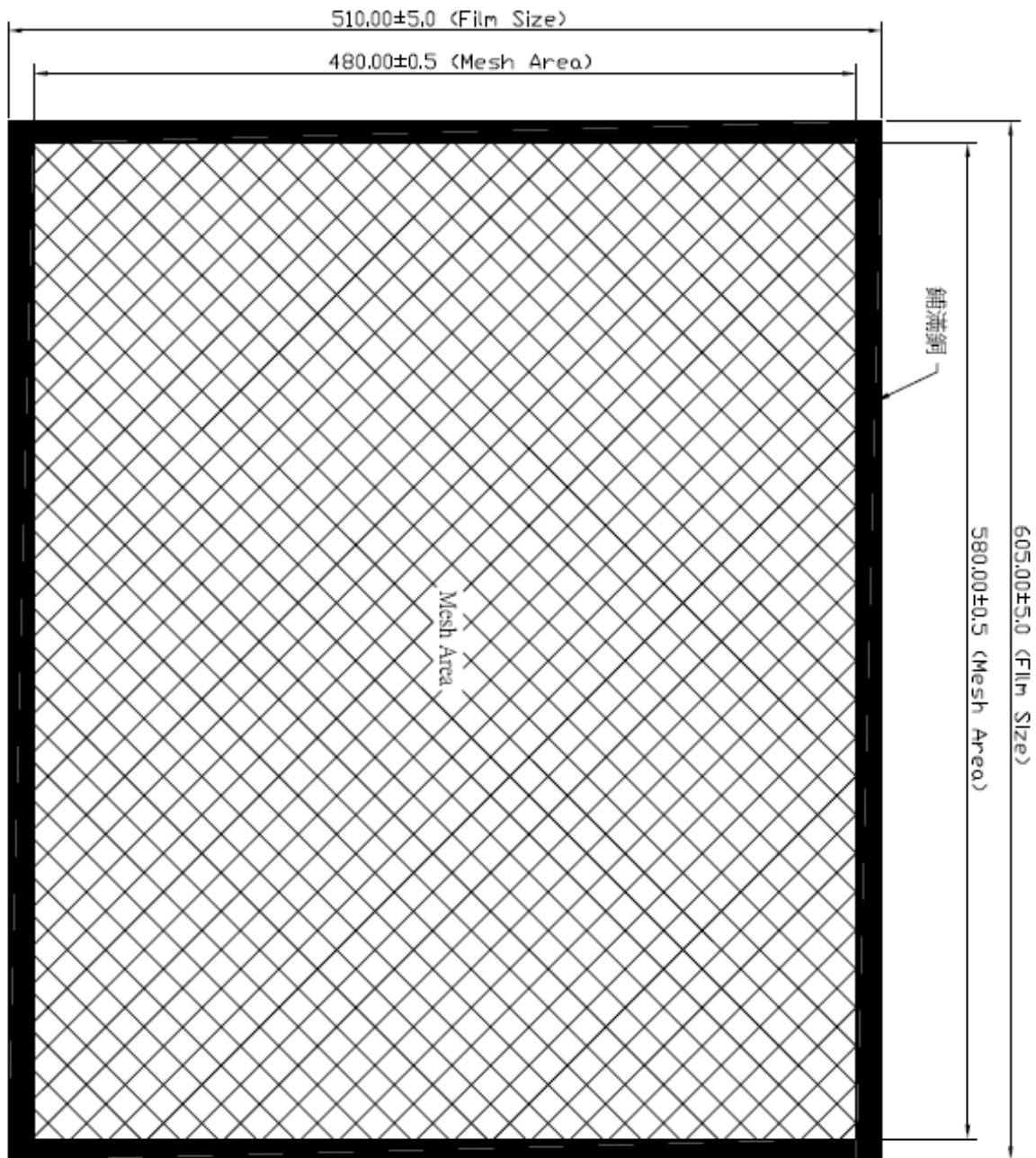
PAGE: 5 OF 7

DATE: 2014/11/28

6. Optical properties

Item			Unit	Value	Method
Optical	VLT	Y	%	82%±3	Spectrocolorimeter (D65)
	Colotr	x		0.313±0.003	
		y		0.313±0.003	
Reliability	Thermal Stability			Difference with no Significant	80°C *1000h
	Humidity Resistance				60°C 、90% RH*1000h
		Thermo Shock			
Surface resistance				< 0.15 Ω/□	Surface resistance Meter

7. Drawing



Gredmann Taiwan

Tel: 02-2719-3456 (20 線)

Fax: 02-2716-5500, 2716-5522

105 台北市民權東路三段 170 號 9 樓之 2

PAGE: 7 OF 7

DATE: 2014/11/28